



WD56

**Installation Guide
Operating Instructions
Warranty**

WD56

Installation Guide, Operating Instructions & Warranty

IMPORTANT!

This wood fireplace must be installed to **AS/NZS 2918:2001** by a qualified person and in accordance with these instructions. Failure to install the fireplace correctly will void your warranty and may cause a fire. This fireplace should not be modified under any circumstances.

It is recommended that you have this fireplace serviced annually by a qualified technician.

Warranty repairs must be carried out by a 'The Fire Dept.' authorised technician.

This fireplace must ALWAYS terminate/flue outdoors.

Young children, elderly or infirm should be supervised to ensure that they are careful with the fireplace.

Clothing and other flammable materials should never be placed near the fireplace.

Please note that parts (near the flame) of this fireplace become extremely hot during operation and can result in serious injury and burns if touched. It is therefore recommended that a fireguard complying with BS 8423:2002 is used in the presence of young children, the elderly or infirm.

During the installation of this fireplace, it may be necessary to manually handle heavy components (greater than 25kg). It is the installer's responsibility to ensure appropriate manual-handling techniques are employed.

This installation guide must be read in conjunction with the technical specifications for this fireplace.

The WD56 installation process consists of 8 steps

	Page
Step 1: Unpack and ensure all components are correct and undamaged	3
Step 2: Pre-installation checklist.....	4
Step 3A: Crane fireplace and woodbox into position.....	5
Step 3B: Disassemble then reassemble fireplace & woodbox into position.....	7
Step 4: Fix fireplace into position.....	15
Step 5: Fit hearth (optional)	18
Step 6: Fit flue.....	19
Step 7: Fit oven tile, door, fire bricks and grate	20
Step 8: How to operate fireplace	21
Operating instructions	22
Troubleshooting	22
Product warranty	23

Information in this installation guide may be subject to change without notice.
Please ensure you have the current version before beginning installation.

If you have any queries, please contact 'The Fire Dept.' on 0800 888 550

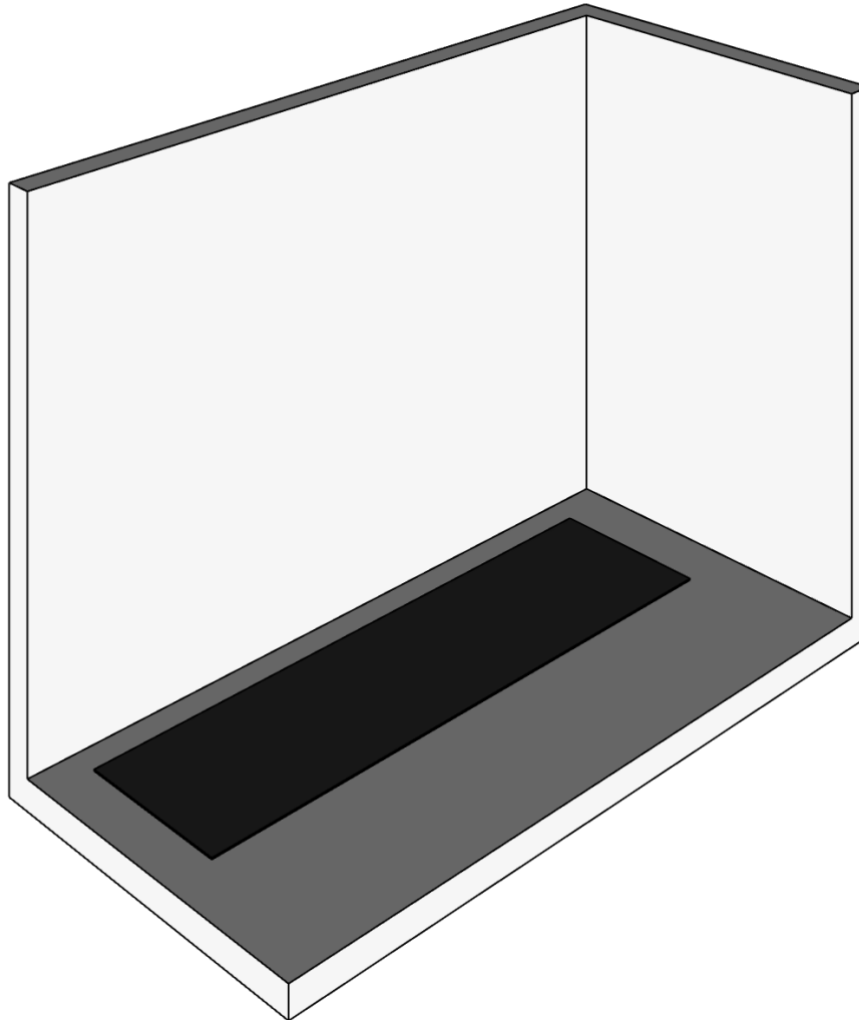


Step 1: Unpack and ensure all components are correct and undamaged

- Fireplace and woodboxes, with oven tile and fire bricks.
- Grate.
- Flue kit.
- Pizza paddle.
- Baffle hook.
- WD56 technical specifications (to be read in conjunction with this installation guide).
- BBQ Grill/Hotplate (optional).
- Heat barrier (optional – required for installation onto combustible surface).
- Tread plate aluminium hearth panel (optional – required for installation onto combustible surface).
- Flamethrower log ignitor (optional).
- Flamethrower log ignitor installation guide, if optional log ignitor is being used.

Step 2: Pre-installation checklist

- Ensure clearances are correct – refer to technical specifications.
- Ensure hearth dimensions are correct – refer to technical specifications.
- Plan flue path.
- Ensure the base is strong enough to support the fireplace.




The starting point.

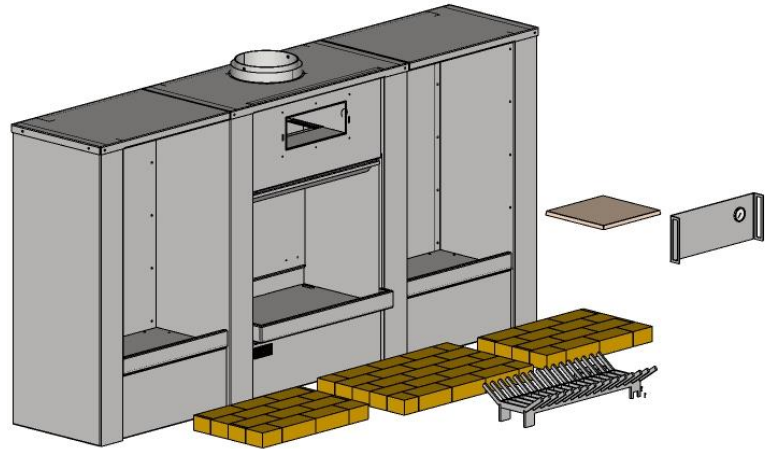
Note: Ensure clearances are correct – refer to technical specifications.

Step 3A: Crane fireplace and woodboxes into position

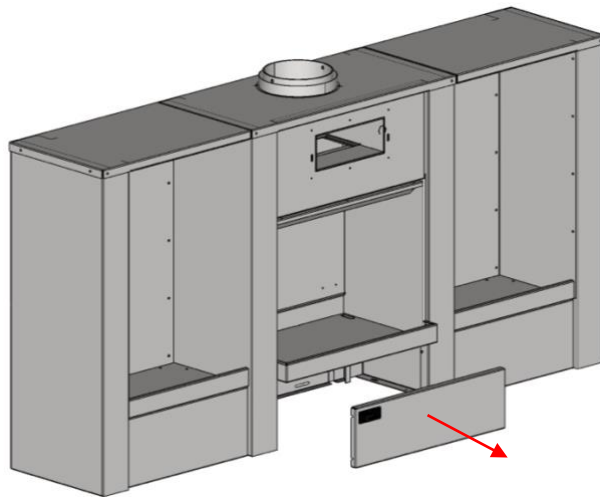
The best installation option is to crane the fully assembled fireplace into position. If this is not possible, follow the instructions in step 3B.

Important Safety Note: It is the installer's responsibility to ensure that the crane, operator and equipment are suitably certified to lift the fireplace. 

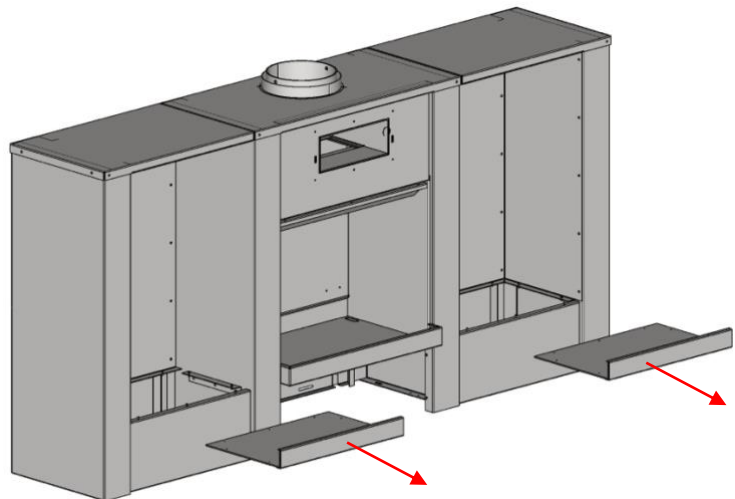
1. Remove door, oven tile, grate and fire bricks. Take a photo of both fire brick set-ups as you'll need them later.



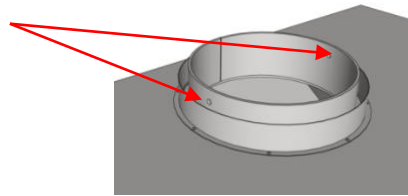
2. Remove the front lower panel, which hangs on bolts. Carefully lift the front lower panel up 10mm and pull it away from the front of the fire in one movement.



3. Remove the woodboxes hearth plate (7 x 6mm countersunk cap screws each).

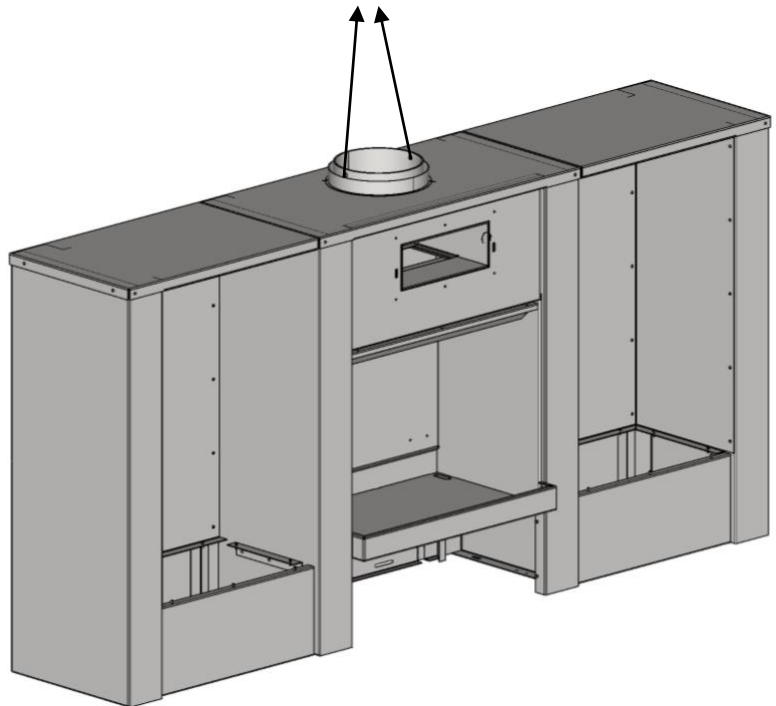


4. Connect lifting shackles through the 15mm holes in the flue spigot.



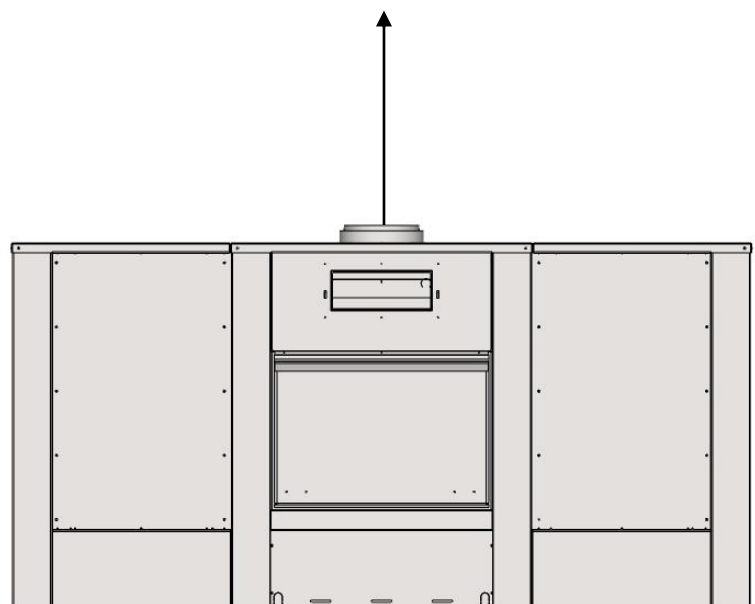
2 x 15mm holes in flue spigot for lifting the fireplace.

5. Carefully lift the fireplace and woodboxes into position.



Note:

- Take care not to damage the base of the fireplace outer side panels during this process.

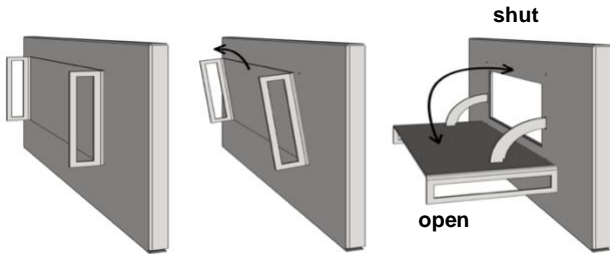
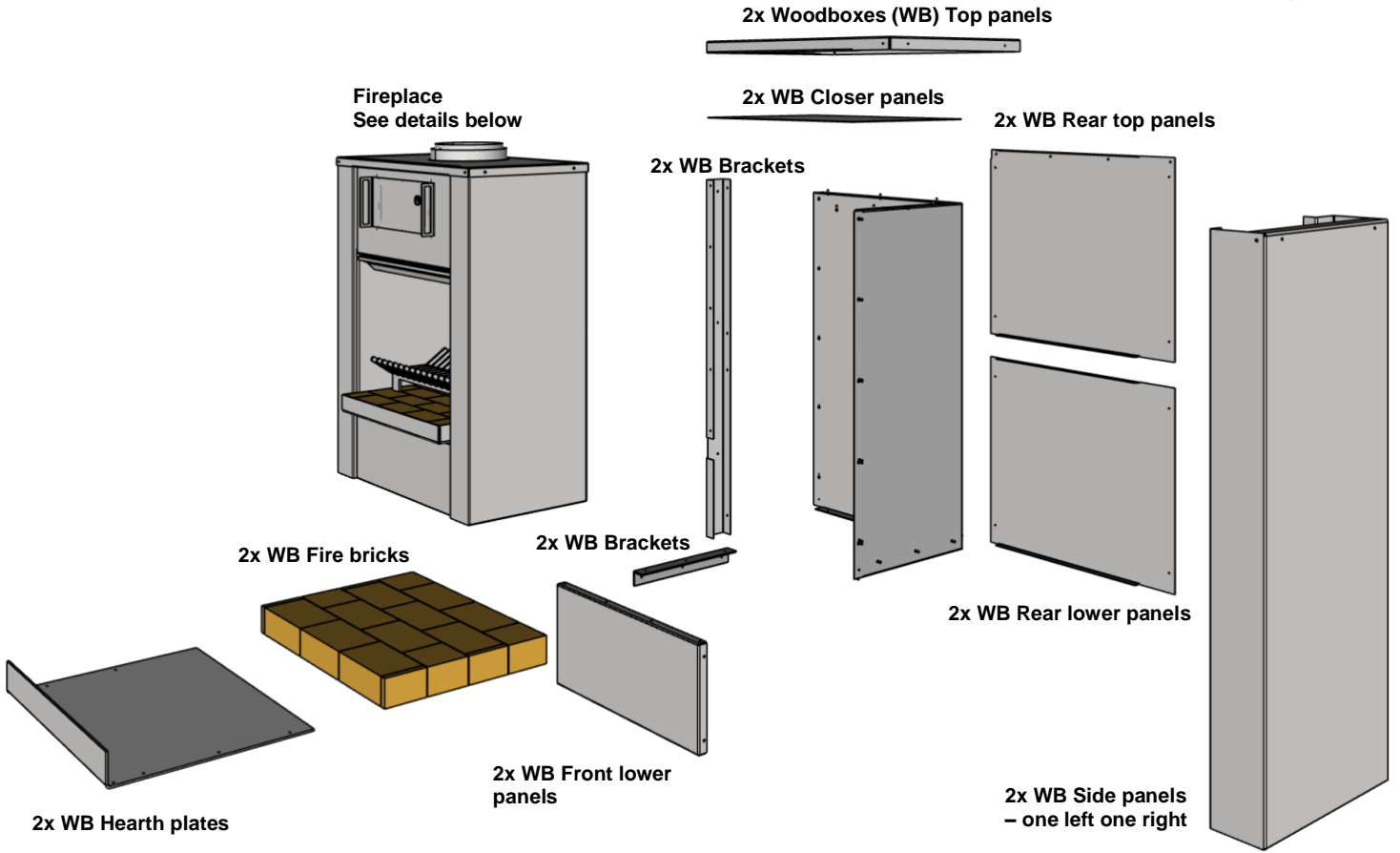


6. Move to step 4 once the fireplace is in position.

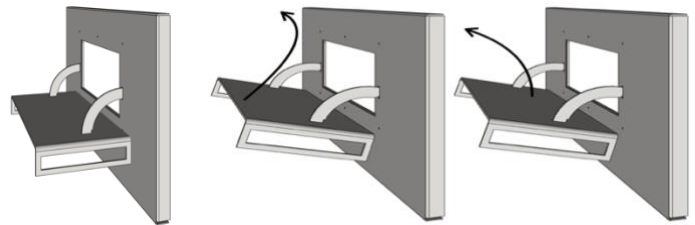
Step 3B: Disassemble then reassemble fireplace & woodboxes into position

If the fireplace cannot be craned into position, it needs to be disassembled then reassembled into position.

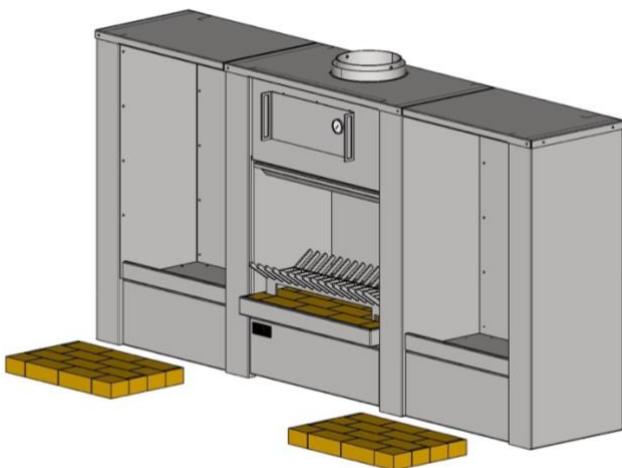
Important Safety Note: It may be necessary to manually handle heavy components (greater than 25kg). It is the installer's responsibility to ensure appropriate manual-handling techniques are employed.



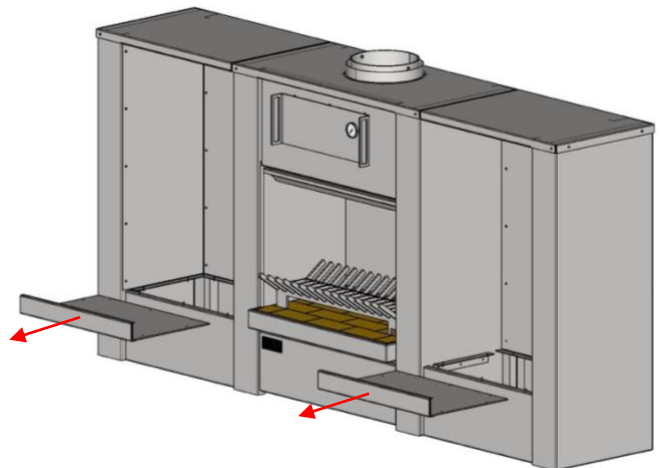
To open door, lift up and out in one movement.



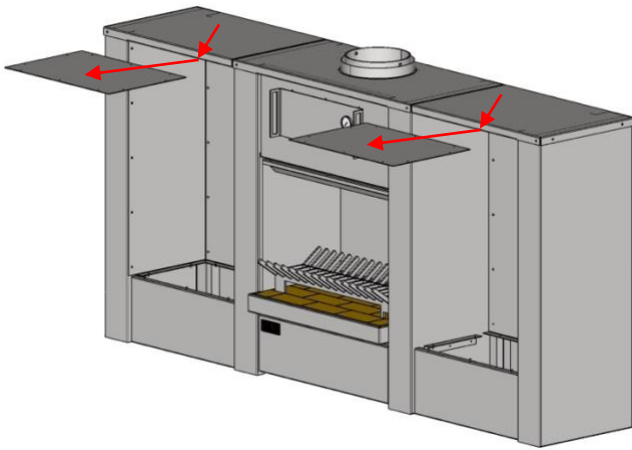
To remove door, lift open door up and out in one movement.



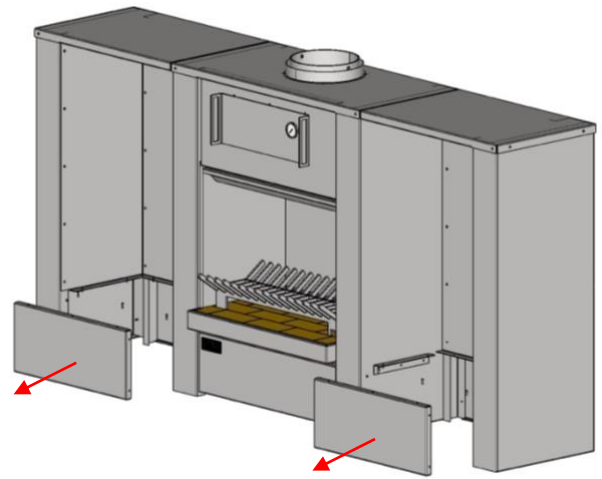
1. Remove the woodbox fire bricks. Take a photo of the fire brick set-up, as you'll need it later.



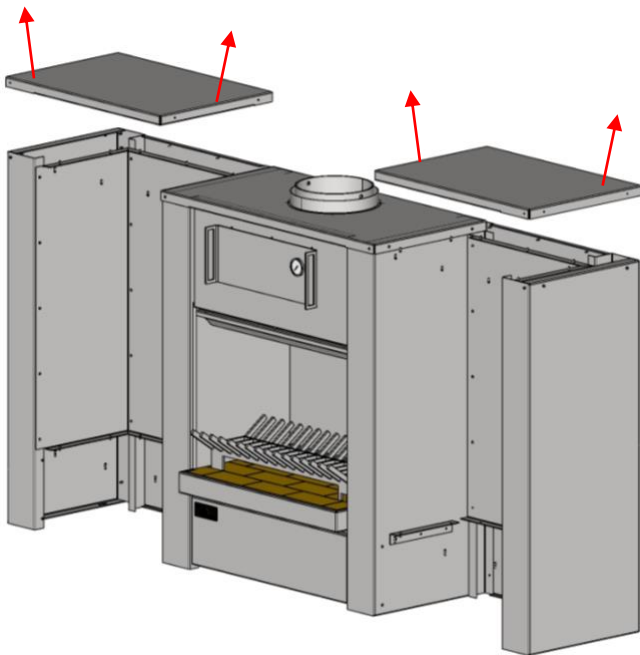
2. Remove the woodbox hearth plate (7 x 6mm countersunk cap screws) and firebricks.



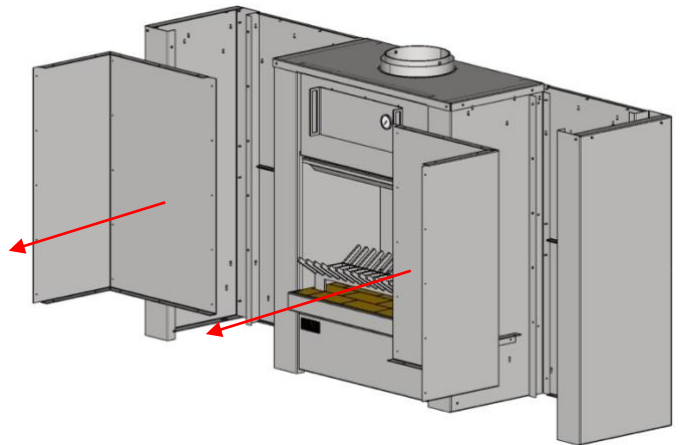
3. Remove the woodboxes closer panel from the inside top of each wood box (10 x 5mm countersunk cap screws).



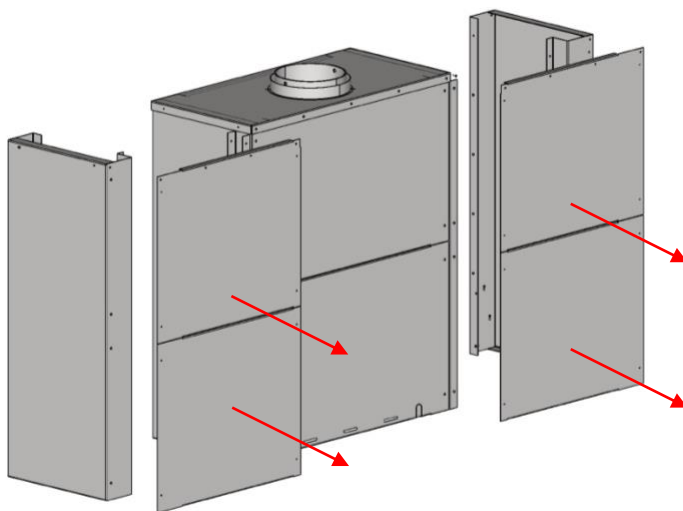
4. Remove the woodboxes front lower panel. (2 x 5mm cap screws at each side).



5. Remove the woodboxes top panels (9 x 5mm countersunk cap screws).



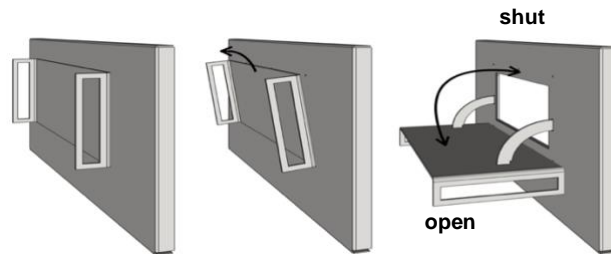
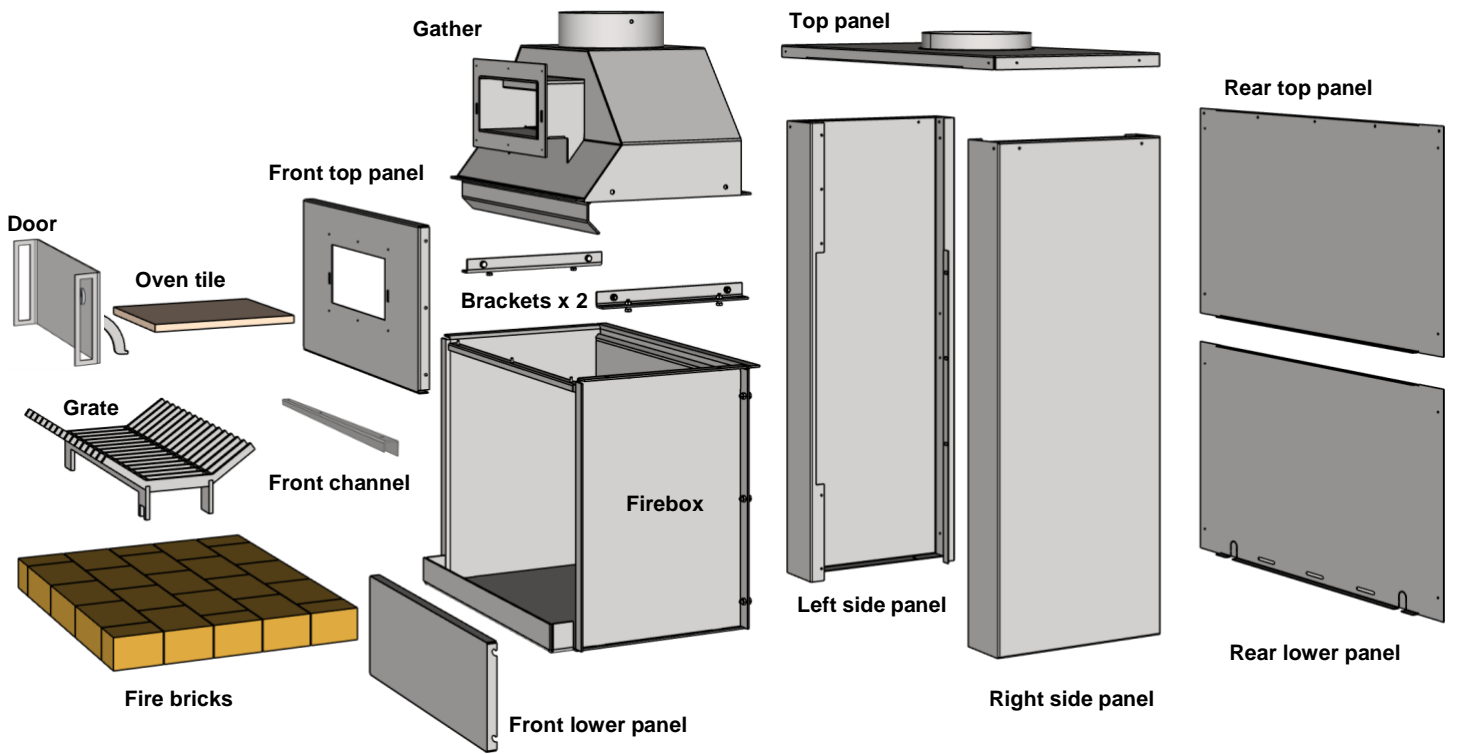
6. Remove the woodboxes inner panels (12 x 5mm countersunk cap screws).



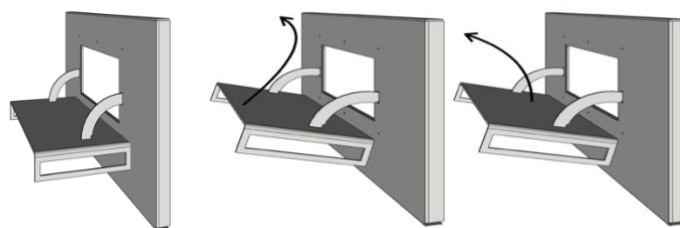
7. Remove the woodboxes rear top panels and then the woodboxes rear lower panels (4 x 5mm countersunk cap screws each panel).



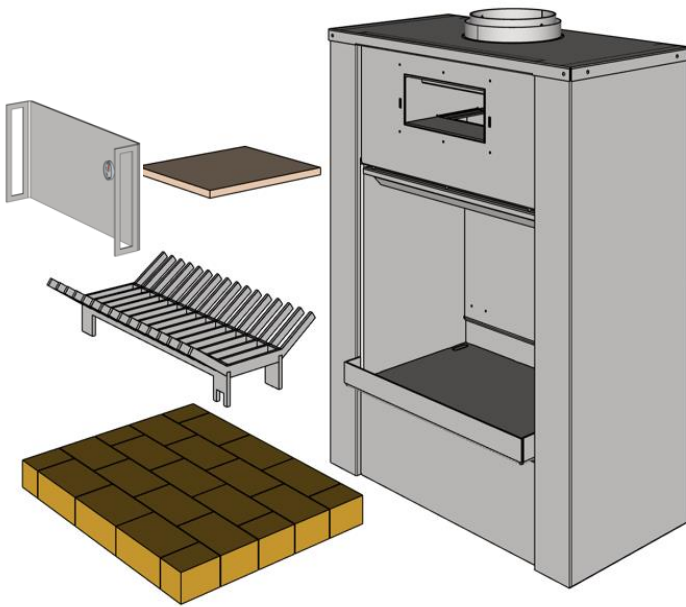
8. Fireplace ready to be disassembled.
Note: The details below do not show the woodboxes inner panels or the woodboxes brackets that will remain fixed to the Side panels.



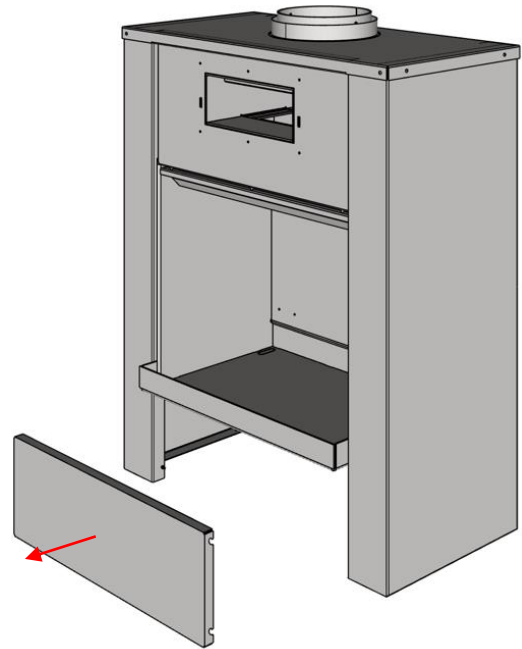
To open door, lift up and out in one movement.



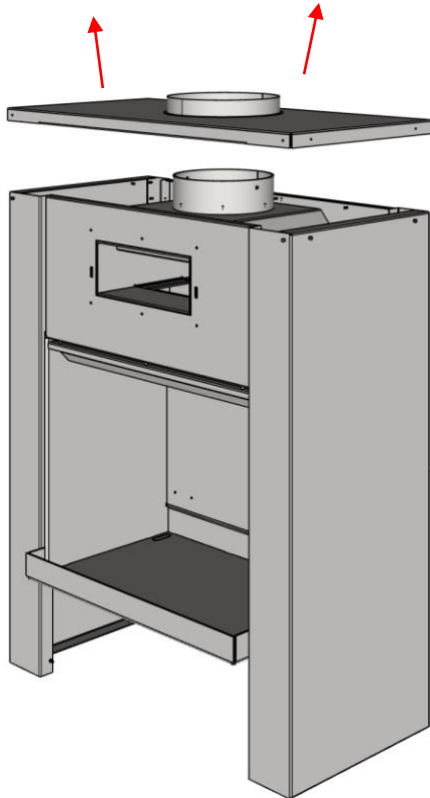
To remove door, lift open door up and out in one movement.



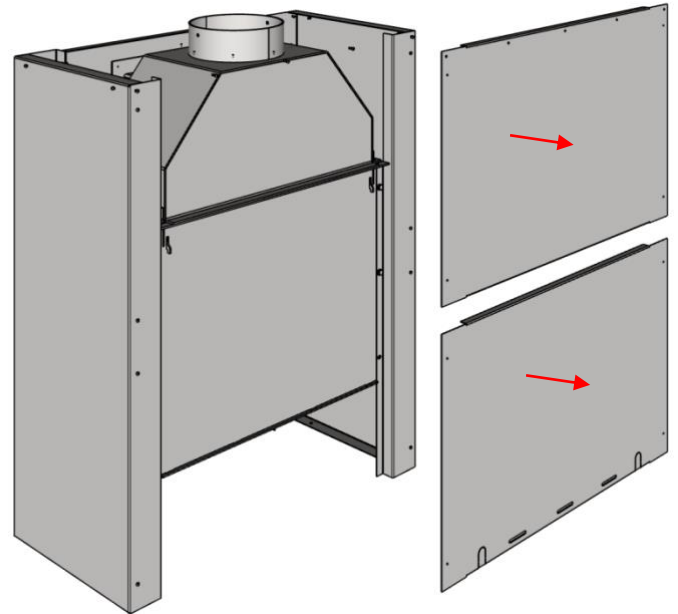
1. Remove door, oven tile, grate and fire bricks. Take a photo of the fire bricks set-up, as you'll need it later.



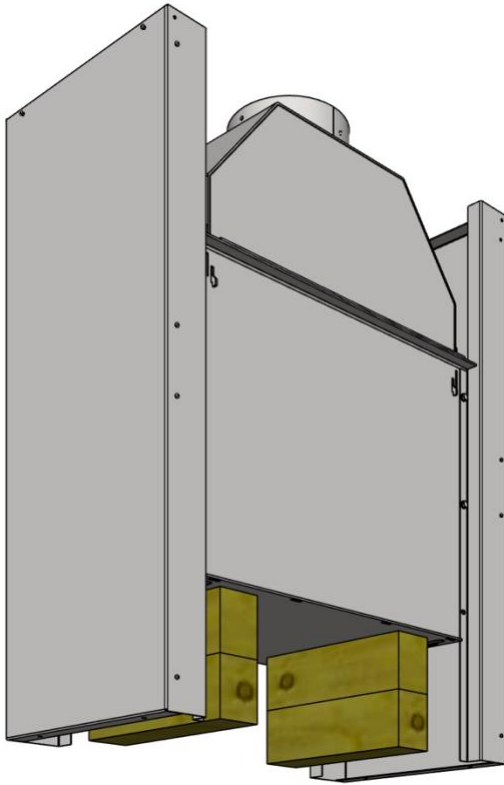
2. Remove the front lower panel. The front lower panel hangs on bolts. Carefully lift the front lower panel up 10mm and pull it away from the front of the fire in one movement.



3. Remove the top panel (11 x 5mm countersunk cap screws).



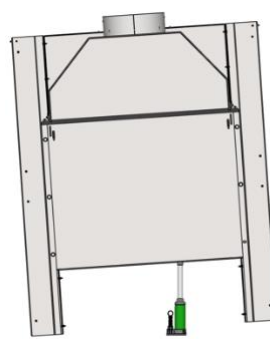
4. Remove the rear top panel and then the rear lower panel (4 x 5mm countersunk cap screws each panel).



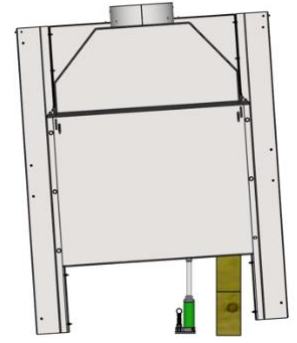
5. Lift from under the firebox until the side panels are free from the ground and support the fire.

Handy tip:

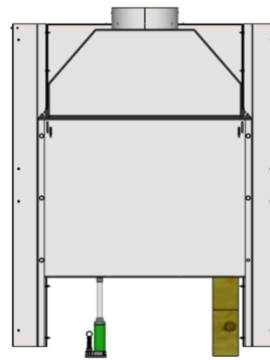
Use a car jack to lift one side at a time.



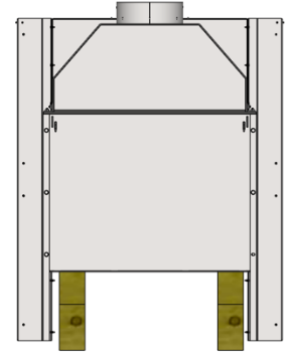
Lift



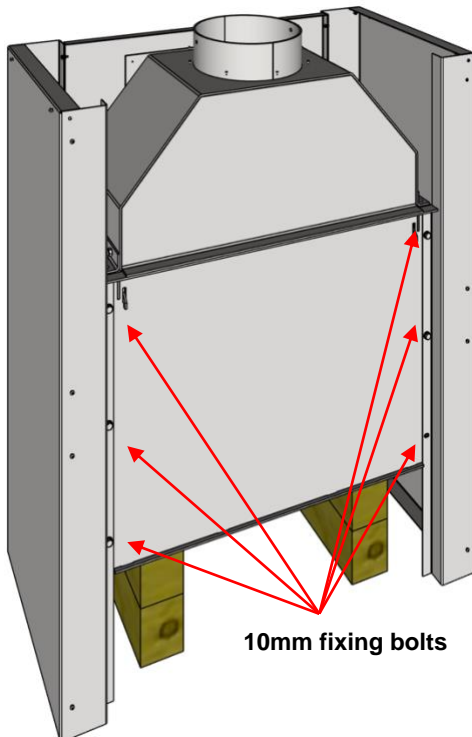
Support



Lift

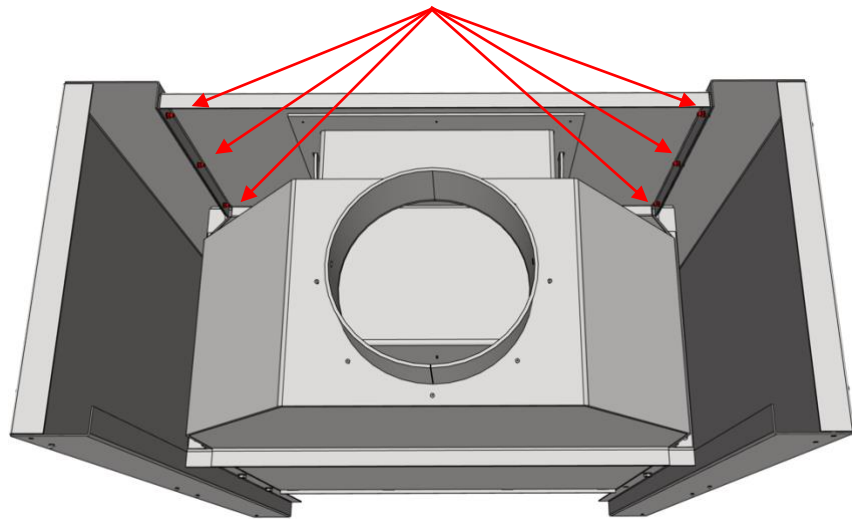


Support



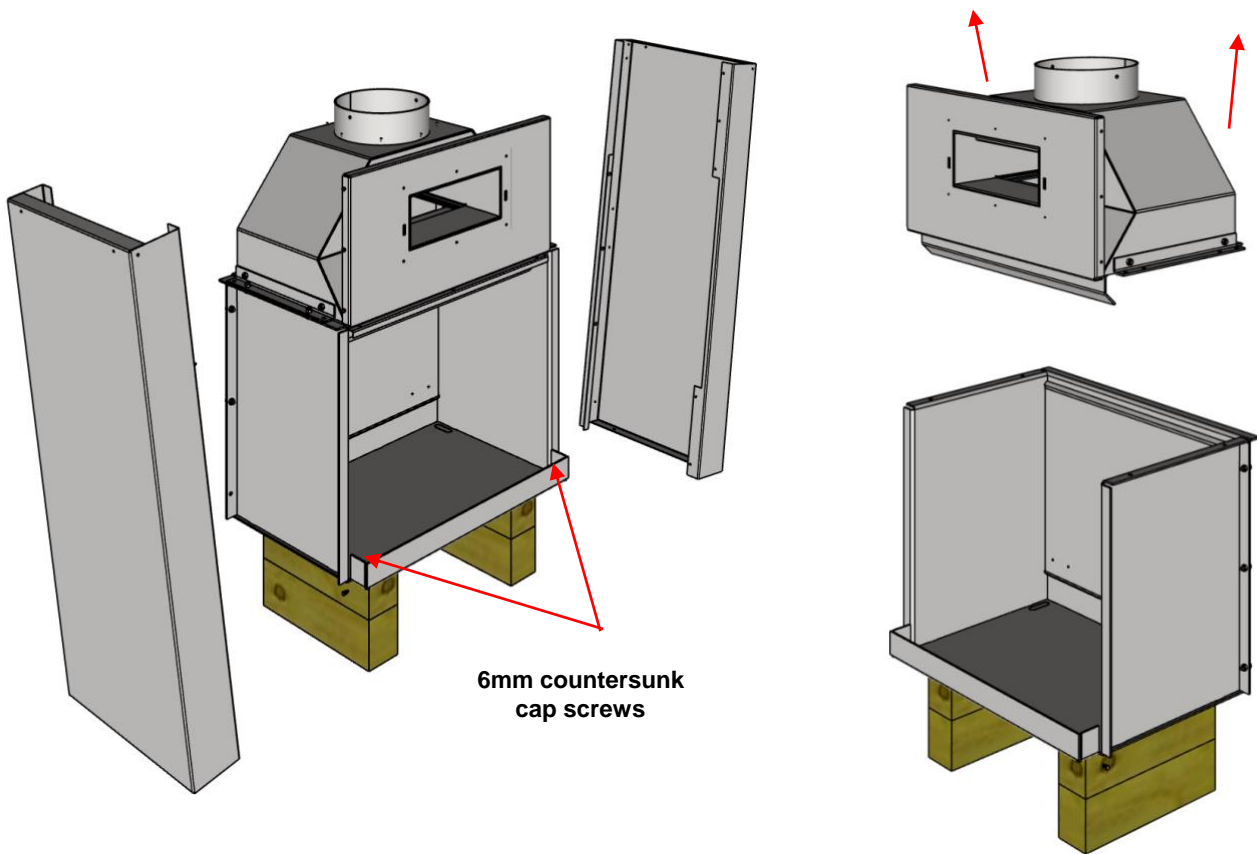
10mm fixing bolts

5mm fixing nuts and bolts



6. Remove the bolts that hold the side panels to the fire box (3 x 10mm bolts at each side of the firebox).

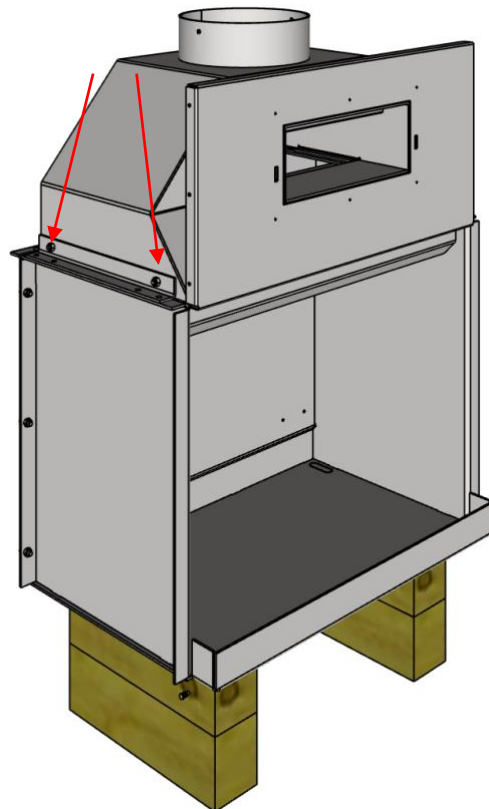
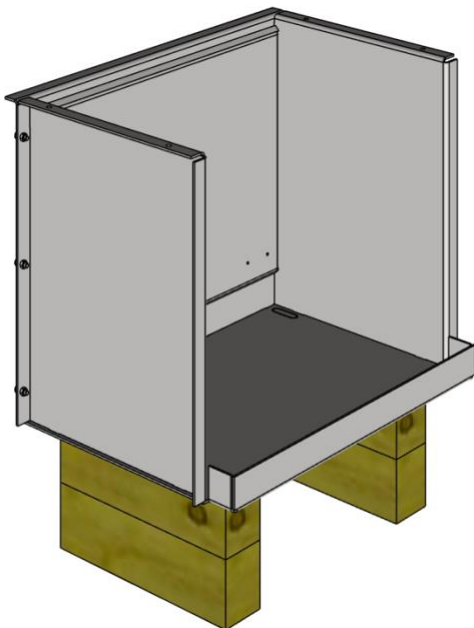
7. Remove the nuts and bolts that hold the side panels to the front top panel. 3 x 5mm nuts and bolts at each side of the firebox.



6mm countersunk cap screws

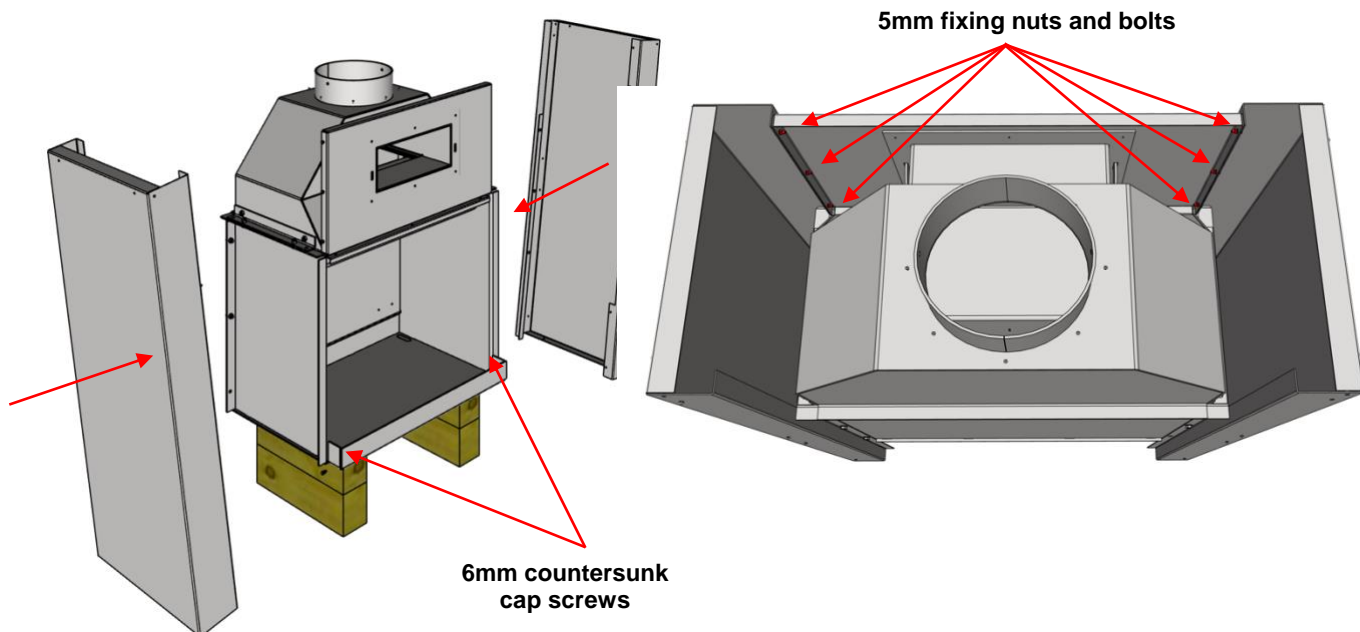
8. Remove the side panels. (2 x 6mm countersunk cap screws each side).

9. Remove the gather with the front top panel attached (3 x 10mm bolts at each side of the firebox). Requires 4 x people one at each corner



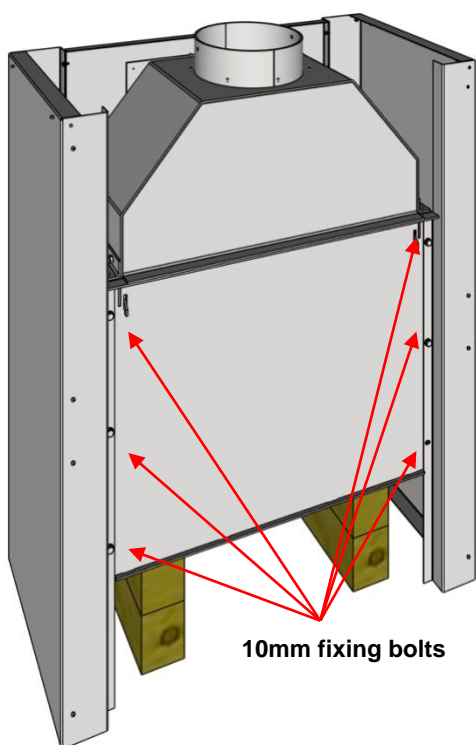
10. Carry the firebox into position. Requires 4 x people, one at each corner.

11. Fix the gather (with the front top panel attached) to the firebox (2 x 10mm bolts at each side of the firebox). Requires 4 x people, one at each corner.

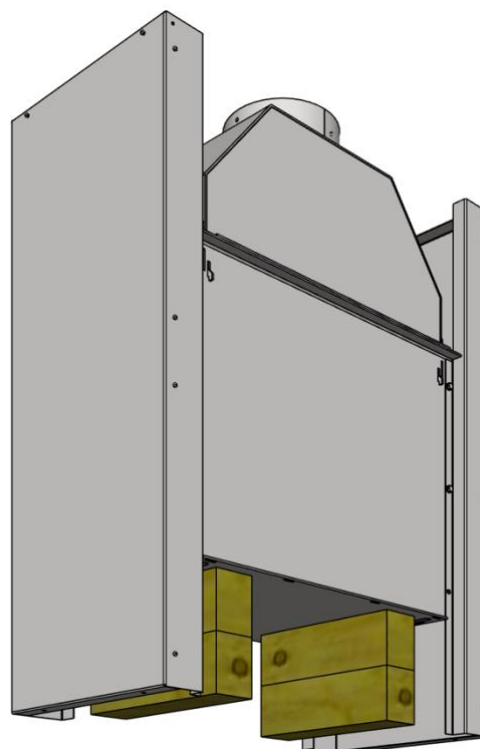


12. Fit the side panels. (2 x 6mm countersunk cap screws each side).

13. Fit the nuts and bolts that hold the side panels to the front top panel. 3 x 5mm nuts and bolts at each side of the firebox.

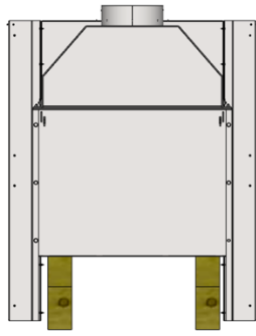


14. Bolt the side panels to the firebox (3 x 10mm bolts at each side of the firebox).

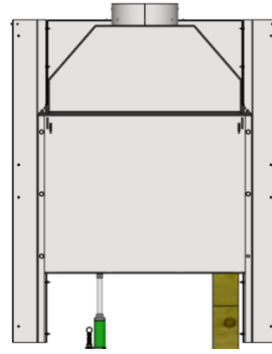


15. Remove the supports and lower the firebox until its level and the side panels are on the ground and in position. Take care not to damage the powder-coating on the lower edge of the side panels.

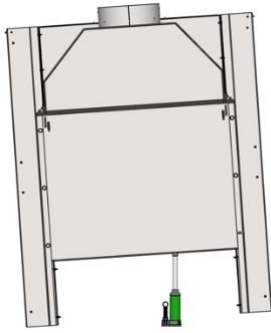
Handy tip:
Use a car jack and lower one side at a time.



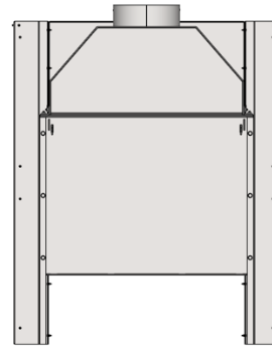
Supported



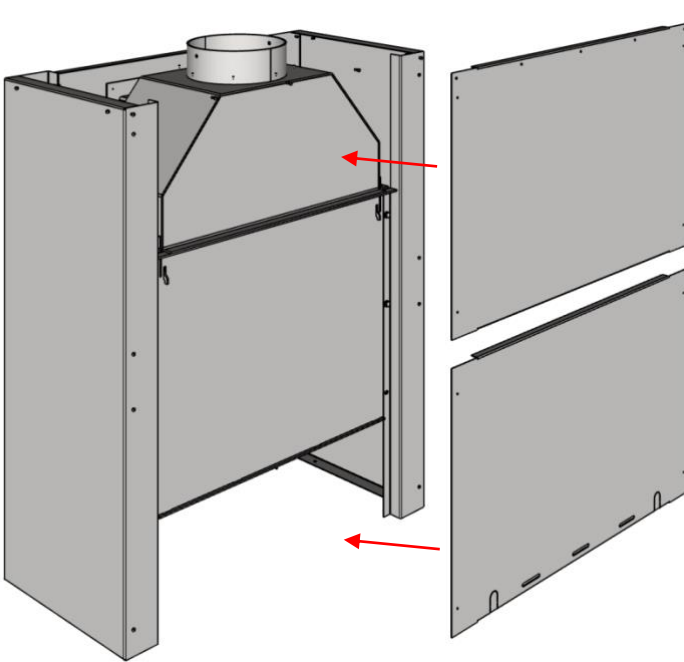
Remove support and lower



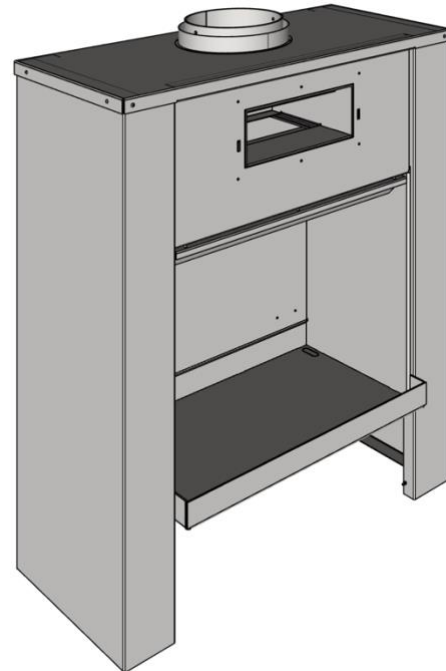
Remove support and lower



In position

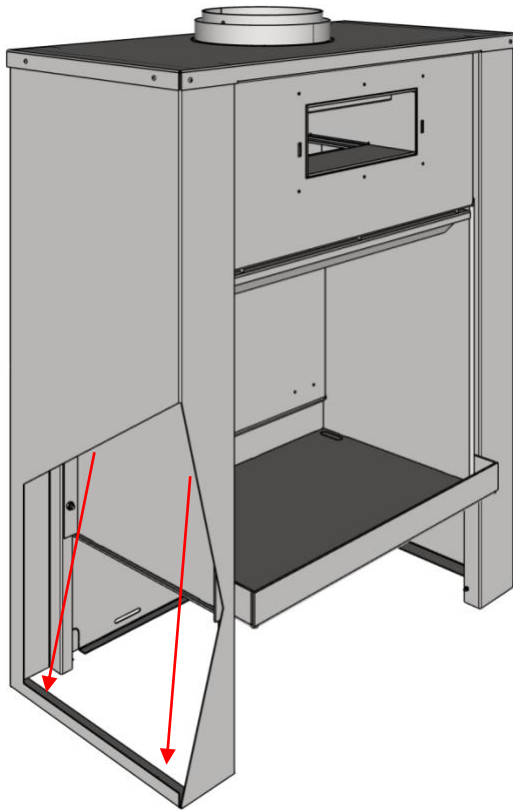


**16. Fit the rear lower panel and then the Rear top panel (4 x 5mm countersunk cap screws each panel).
NOTE: Loosely fit all the cap crews before tightening.**



**17. Fit the top panel (11 x 5mm countersunk cap screws).
NOTE: Loosely fit all the cap crews before tightening.**

Step 4: Fix fireplace into position

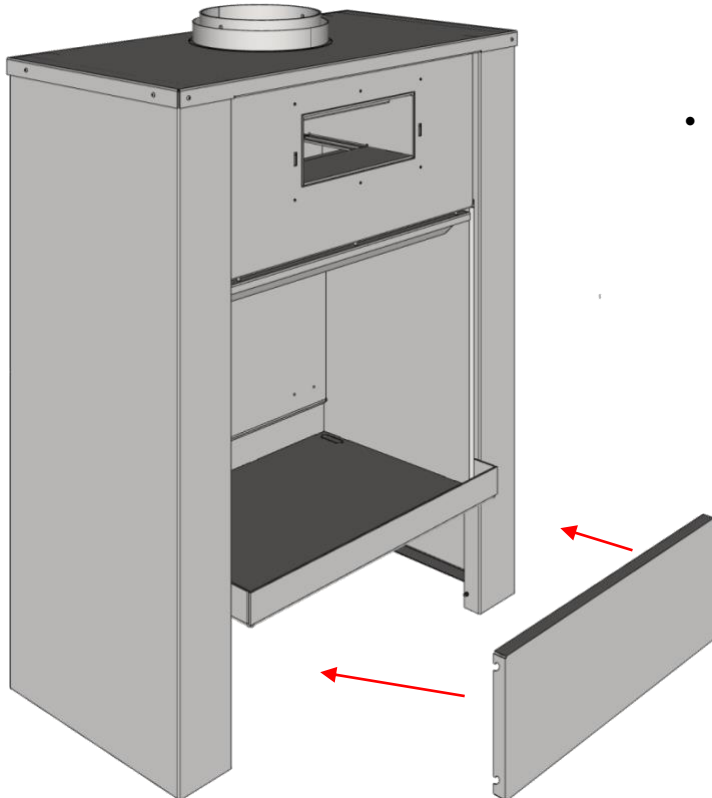


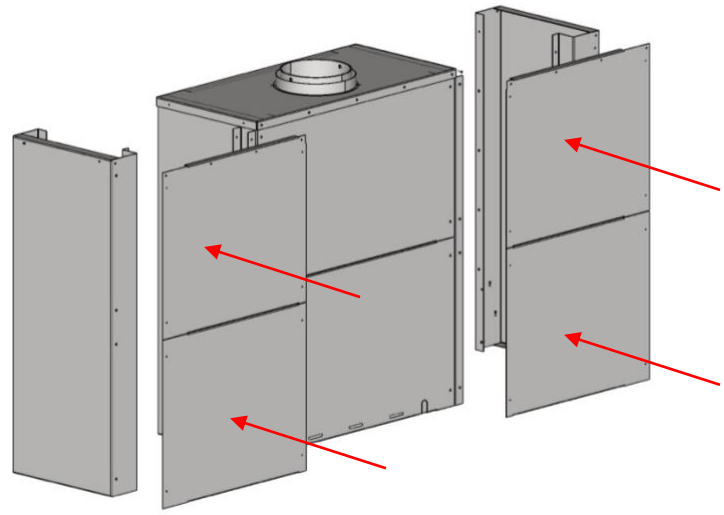
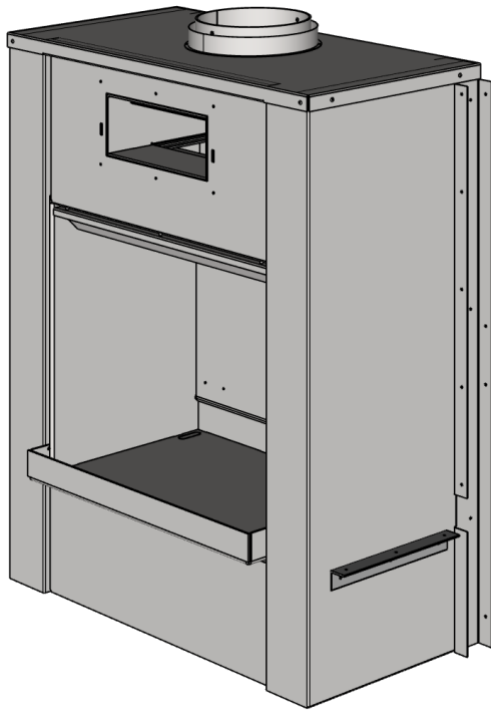
1. Fix the fireplace into position

- Position the fireplace and ensure that it complies with the minimum clearances required (100mm on all sides) to the surrounding enclosure.
- In order to provide maximum positioning flexibility, the base has two 30mm long slots in each side panel.
- Access the fixing holes for the front under the firebox (with the front lower panel removed). The drill will fit up in to the cavity between the firebox and the side panels.
- Mark out and drill fixing holes through the 30mm slots in the base. Ensure holes are drilled in the centre of the slots to allow maximum positioning flexibility. Clear out any debris from drilling.
- Ensure the fireplace is level and pack up corners to suit where necessary. Fix bolts /screws into position. Check and ensure unit is level.
- **NOTE:** If this fireplace is positioned on a combustible surface see step 5 details below.

2. Fit front lower panel.

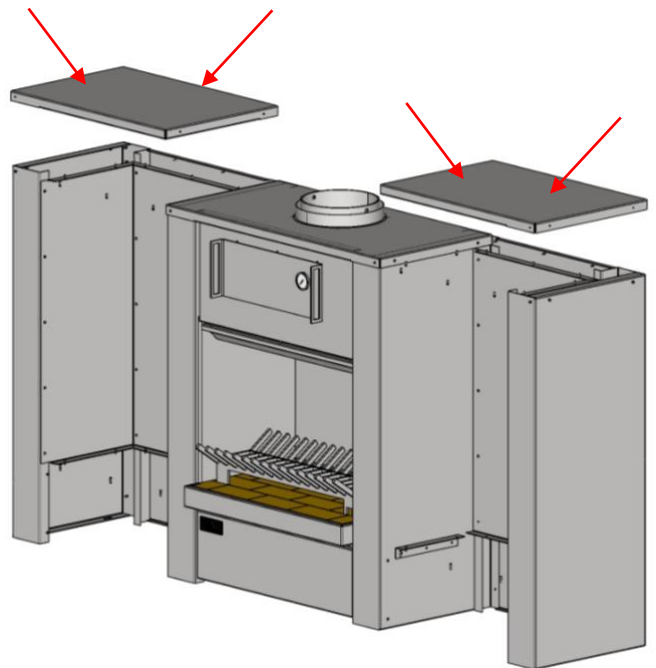
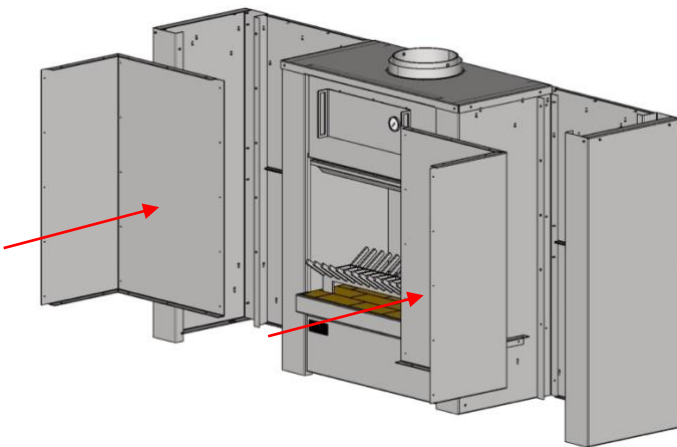
- The front lower panel hangs on bolts.
- In one movement carefully push the panel into the cavity under the firebox until it meets the fixing bolts then lower the panel down and into position on the 10mm bolts.
- **NOTE:** Do not fit front lower panel if the fireplace is positioned on combustible materials. See step 5 below.





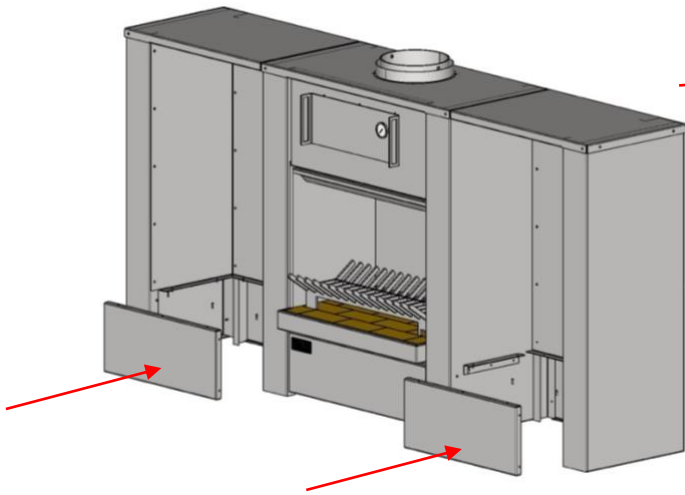
3. Fireplace ready to be reassembled.

4. Fit the woodboxes rear lower panels and then the woodboxes rear top panels (4 x 5mm countersunk cap screws each panel).

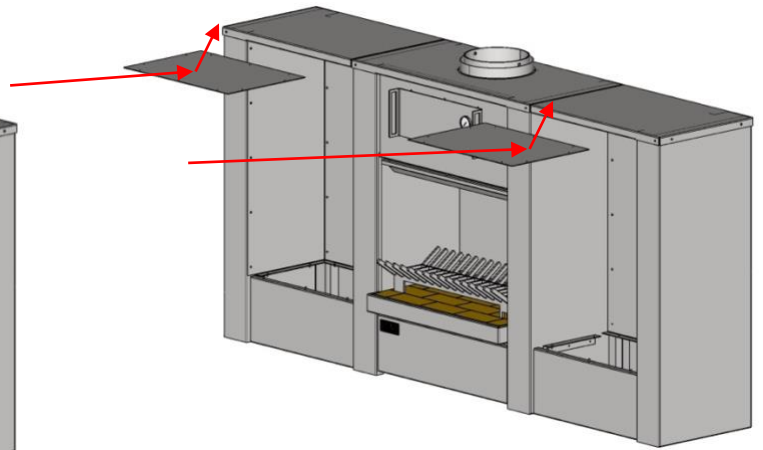


5. Fit the woodboxes inner panels (12 x 5mm countersunk cap screws).

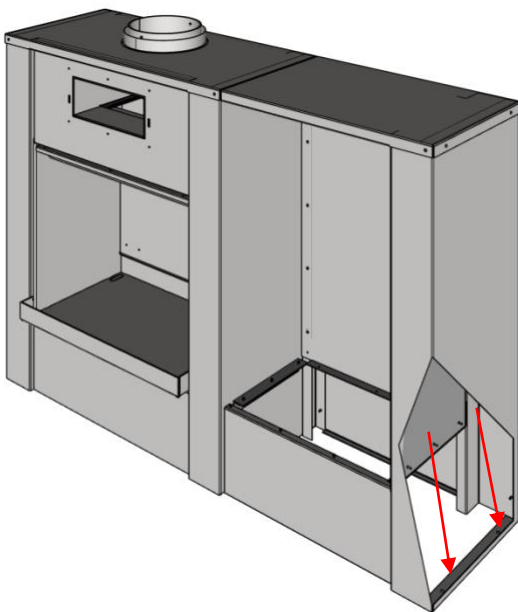
6. Fit the woodboxes top panel (9 x 5mm countersunk cap screws).



7. Fit the woodboxes front lower panels. (2 x 5mm cap screws at each side).

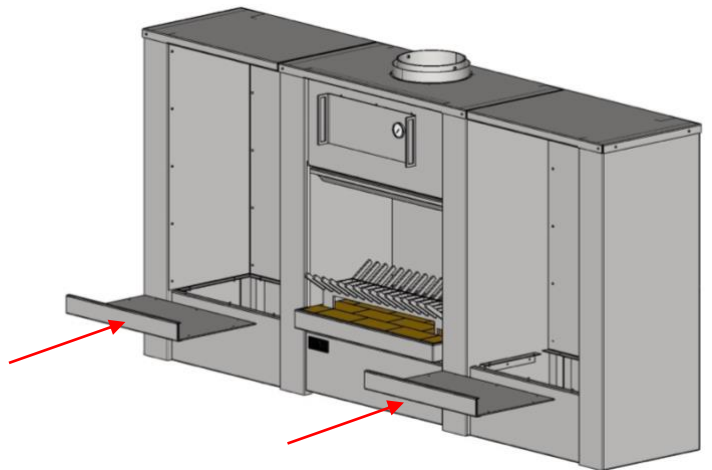


8. Fit the woodboxes closer panels inside the top of the woodboxes (10 x 5mm countersunk cap screws).



9. Fix the woodboxes into position

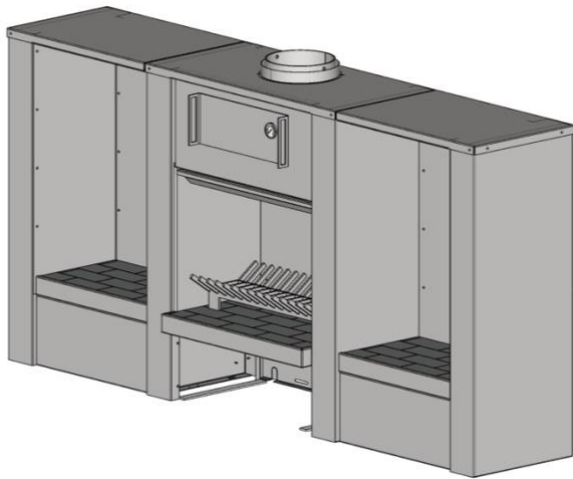
- In order to provide maximum positioning flexibility, the base has two 30mm long slots in the base of the woodboxes side panel.
- Access the fixing holes from the front woodboxes opening (with the woodboxes hearth plate removed).
- Mark out and drill fixing holes through the 30mm slots in the base. Ensure holes are drilled in the centre of the slots to allow maximum positioning flexibility. Clear out any debris from drilling.
- Ensure the fireplace is level and pack up corners to suit where necessary. Fix bolts /screws into position. Check and ensure unit is level



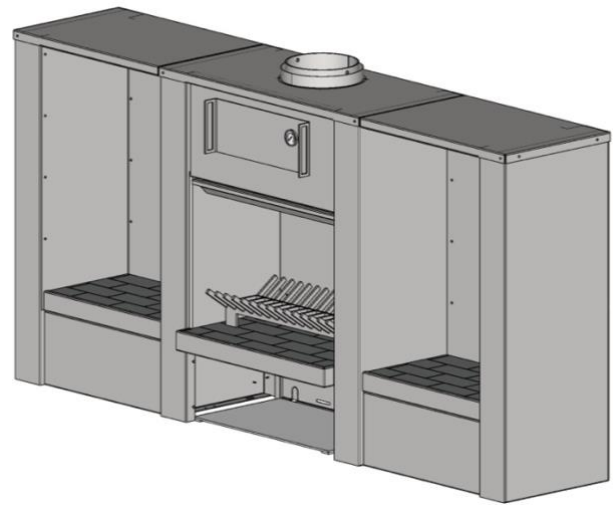
10. Fit the woodboxes hearth plates (7 x 6mm countersunk cap screws) and firebricks

Step 5: Fit hearth (optional)

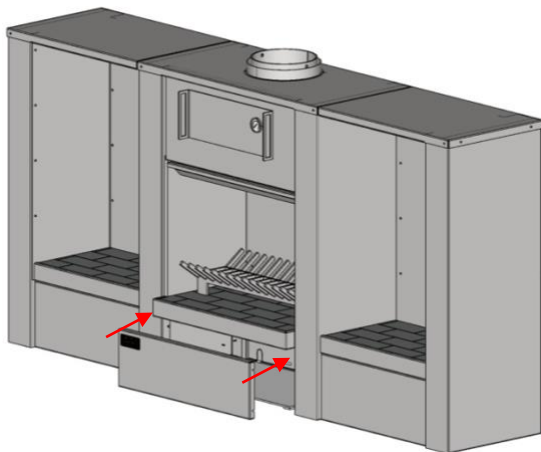
Heat barrier and hearth will be required if the fireplace is to be positioned onto combustible materials.



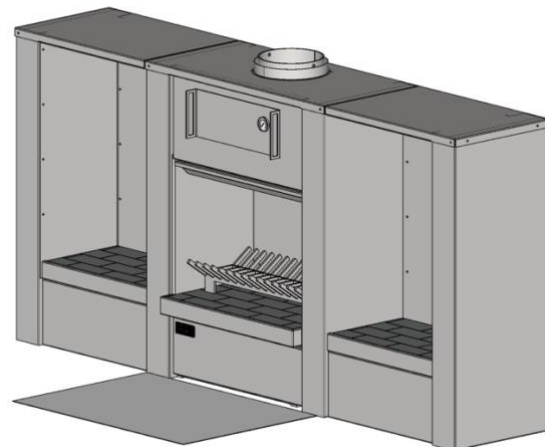
1. Fix the heat barrier supporting slips into position in accordance with technical specifications.



2. Fix heat barrier panel on top of supporting slips in accordance with technical specifications.



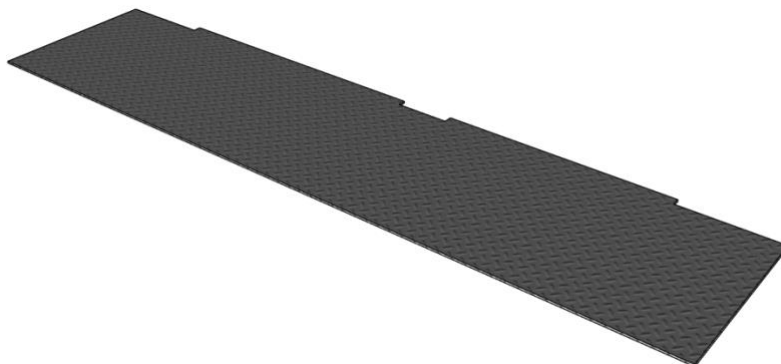
3. Fit the front lower panel.



4. If appliance is positioned onto combustible surface, fix the hearth into position in accordance with technical specifications. (Shown with tread plate aluminium hearth panel – powder coat finish. Can be supplied as an additional component)

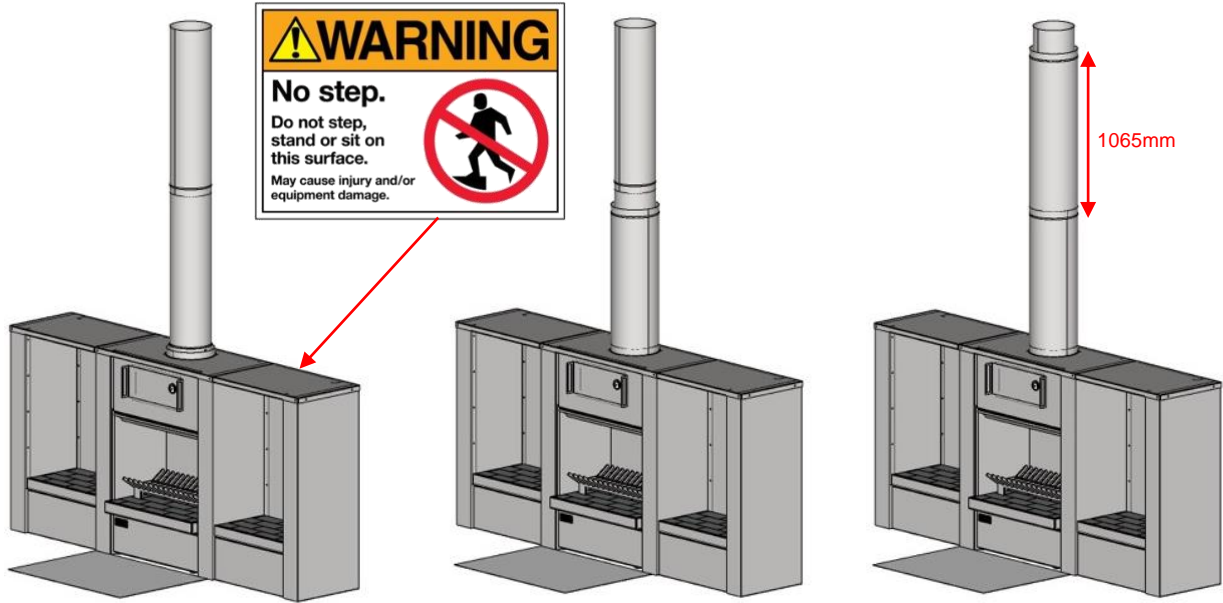
Optional extras:

Tread plate aluminium hearth panel. Includes powder-coating.



Step 6: Fit flue

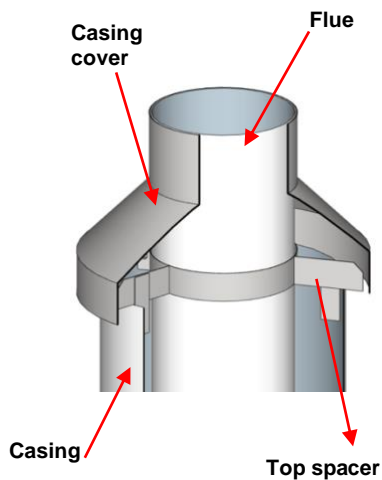
Each flue joint must have a minimum of 4 x stainless steel rivets.



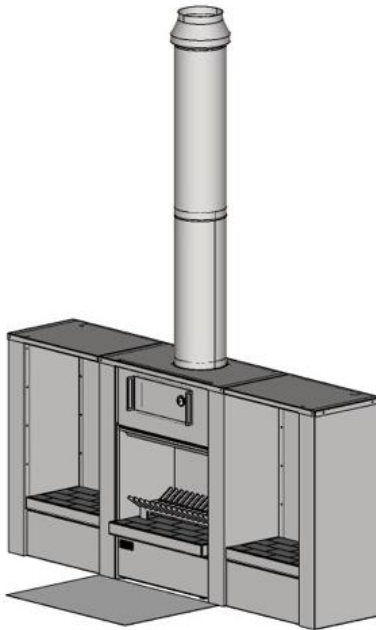
1. Run the 2 x flues. The crimped end runs into the firebox spigot.

2. Run the first casing. The crimped end is at the top. The casing fits over the spigot on the outer rear panel. Position the seam in the casing to the least viewed direction of the fireplace.

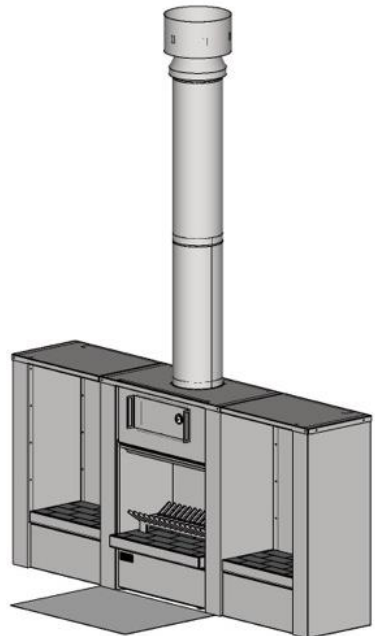
3. Run the second casing. The casing fits over the crimped end on the first casing



4. Fit the top spacer over the flue and into the casing.

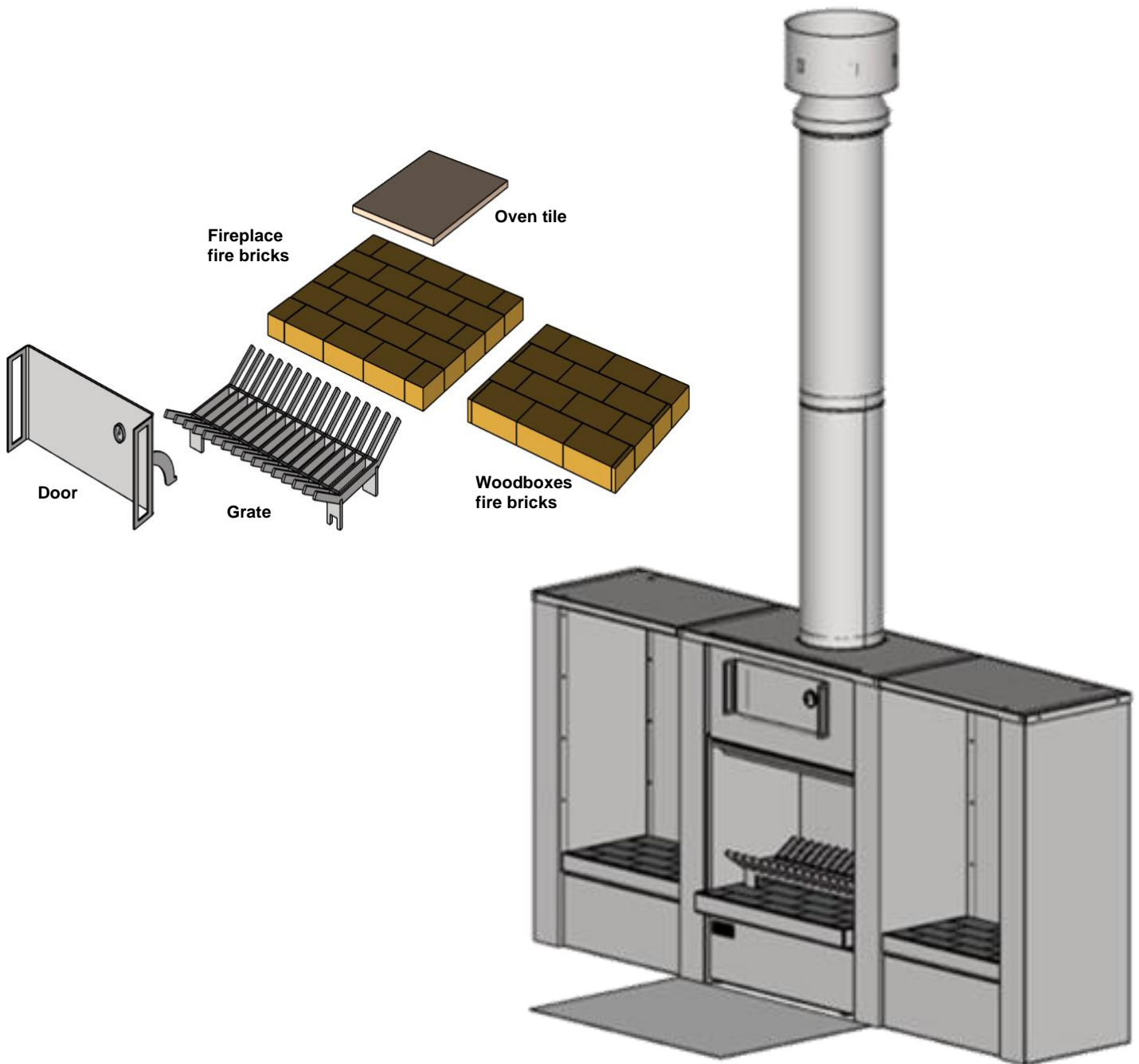


5. Fit the casing cover.



6. Fit the cowl.

Step 7: Fit oven tile, door, fire bricks and grate



Fit the oven tile.

Fit the door by reversing the door removal process described earlier.

Replace the firebricks. Refer to the photos you took earlier.

Place the grate in the centre of the fire cavity.

Fireplace is now ready to use.

Step 8: How to operate fireplace

- Following the Operating Instructions on the next page, show the owner how to operate the baffle.
- If the owner is not available, leave this manual by the fireplace.

OPERATING INSTRUCTIONS

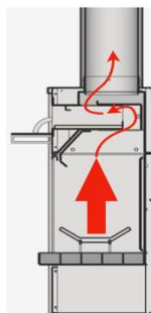
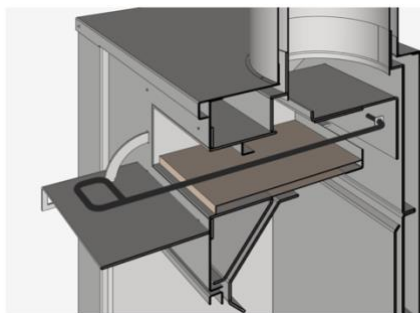
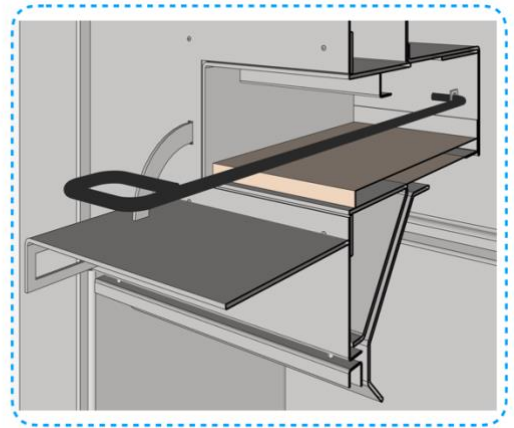
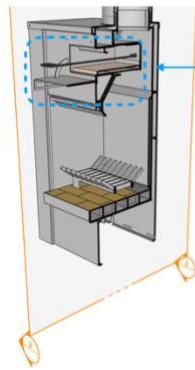
- The WD56 has an integrated baffle, which controls the amount of heat and smoke that enters the cooking area.



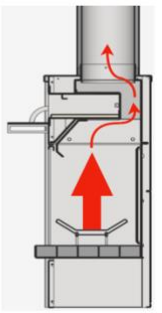
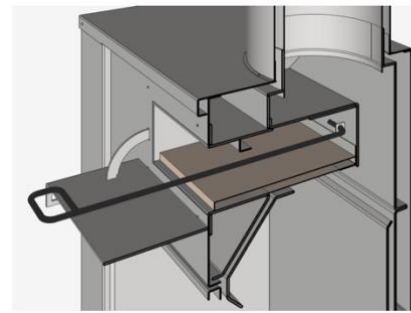
Baffle Hook



Pizza Paddle



Push baffle back to allow heat and smoke to enter the cooking area.



Pull the baffle forwards to stop/adjust heat and smoke entering the cooking area.

- It is recommended that the baffle is closed (pulled forward) when lighting the fire, as this stops small amounts of ash entering the cooking area. Get the fire going then open the baffle (by pushing it backwards) to heat the cooking area. When the cooking area is hot (allow 15 minutes), close the baffle (pulled forward) and place the food inside. Your personal cooking style may vary.
- Ongoing maintenance. It is recommended that the flue be swept every year (some insurance companies require this), or more often if required. Fire bricks will deteriorate over time and must be regularly checked for cracking and movement. Repair or replace as required.

TROUBLESHOOTING

Problem	Probable Cause	Action
Smoke is entering room	<ol style="list-style-type: none"> Poor quality or damp wood Flue damper is closed Draft flowing into or across fire Flue terminates at poor position outside (eg. windy part of roof) A nearby extractor fan is sucking smoke from the fire 	<ol style="list-style-type: none"> Change wood Open flue damper Remove source of draft Reposition flue termination Switch off or reposition extractor fan
Baffle stuck or won't adjust	Build up of rust scale	Lightly tap the rear of the baffle to loosen rust

PRODUCT WARRANTY

IMPORTANT: Evidence of original purchase is required for warranty service.

WARRANTOR: 'The Fire Dept.' (Landscape Elements Ltd)
85 Newton Road
Mount Maunganui
PO Box 10275, Bayfair, Mount Maunganui

ELEMENT OF WARRANTY

'The Fire Dept.' warrants to the original retail owner for the duration of this warranty, it's fireboxes, gas burner tray, lighters, (herein after referred to as the Product) to be free from defects in materials and craftsmanship with only the limitations or exclusions set out below.

WARRANTY

This warranty will be deemed invalid if the Product is;

- (A) Installed by someone other than an authorised Fire Dept agent.
- (B) Not operated appropriately or "over-fired" in a manner resulting in the firebox operating excessively hot.
- (C) Not serviced and maintained by a certified gas fitter every 12 months.
- (D) Damaged by accident, neglect or misuse,
- (E) Repaired by someone other than an authorised Fire Dept repair agent for a defect or malfunction covered by this warranty.
- (F) Modified, altered or used as part of any conversion kits, subassemblies, or any configurations not sold by 'The Fire Dept.'
- (G) The product contains fire bricks and has not been subjected to the recommended first start-up and run-in procedure.
- (H) Used in conjunction with any equipment or parts or as part of a system not manufactured or supplied by 'The Fire Dept.'
- (I) External powder-coating within 200m of the high tide mark and not lightly washed with warm soapy water every three months.

Indoor appliances (Gas & Wood)

'The Fire Dept.' warrants the mild steel firebox, galvanised steel outer skin and RHS Duragal steel support frame against defective materials and workmanship which would render it unfit for normal domestic use, from the date of purchase by the original consumer, for a period of 5 (five) years. Beyond normal heat-induced staining, tarnishing and mild warping, if a firebox, outer skin or support frame defect occurs, contact 'The Fire Dept.' and the defect will be repaired or replaced at our discretion with all costs covered.

'The Fire Dept.' warrants the SIT Pack (Gas regulator and controller) against defective materials and workmanship which would render it unfit for normal domestic use, from the date of purchase by the original consumer, for a period of 2 (two) years.

Components including fire medium, fans, tiles, glass and glass trim are warranted for a period of 2 (two) years from the date of original purchase, against defective materials and workmanship.

Outdoor appliances (Gas & Wood)

'The Fire Dept.' warrants the Mild Steel firebox, galvanised steel outer skin and RHS Duragal Steel support frame against defective materials and workmanship which would render it unfit for normal domestic use, from the date of purchase by the original consumer, for a period of 2 (two) years. Beyond normal heat-induced staining, tarnishing and mild warping, if a firebox, outer skin or support frame defect occurs, contact 'The Fire Dept.' and the defect will be repaired or replaced at our discretion with all costs covered.

'The Fire Dept.' warrants the SIT Pack (Gas regulator and controller) against defective materials and workmanship which would render it unfit for normal domestic use, from the date of purchase by the original consumer, for a period of 2 (two) years.

Components including fire medium, fans, tiles, glass and glass trim are warranted for a period of 2 (two) years from the date of original purchase for domestic use, against defective materials and workmanship.

STATEMENT OF REMEDY

In the event that the Product does not conform to this warranty at any time while this warranty is in effect, the Warrantor, at its discretion, will repair the defect or replace the part and return it to you without charge for parts or service. This warranty does not provide for reimbursement or payment of incidental or consequential damages.

This warranty does not in any way affect your rights under the Consumers Guarantee Act (New Zealand).